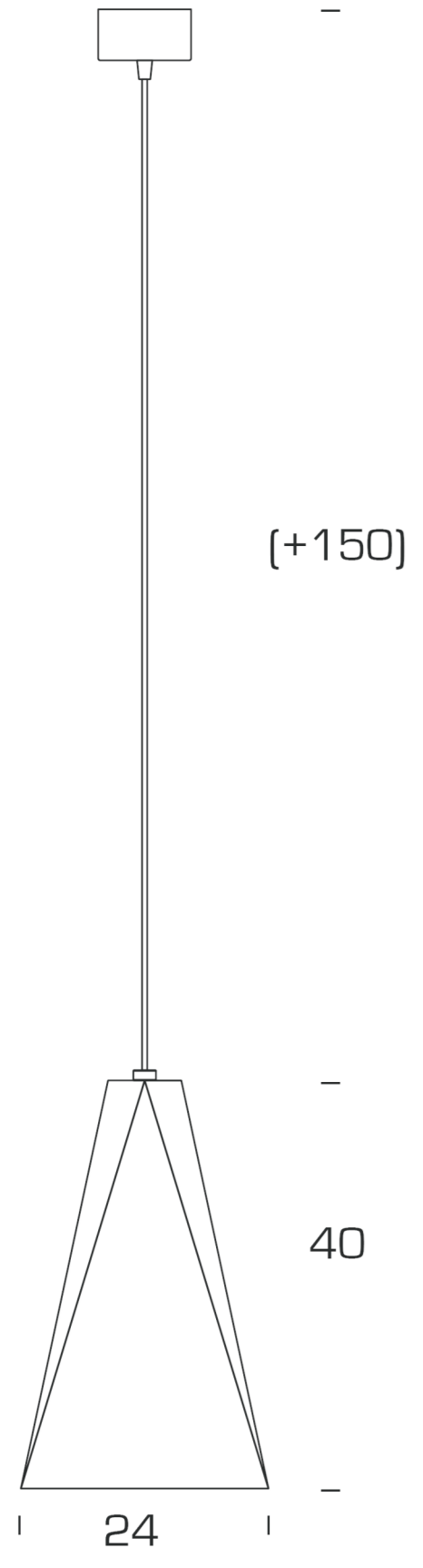
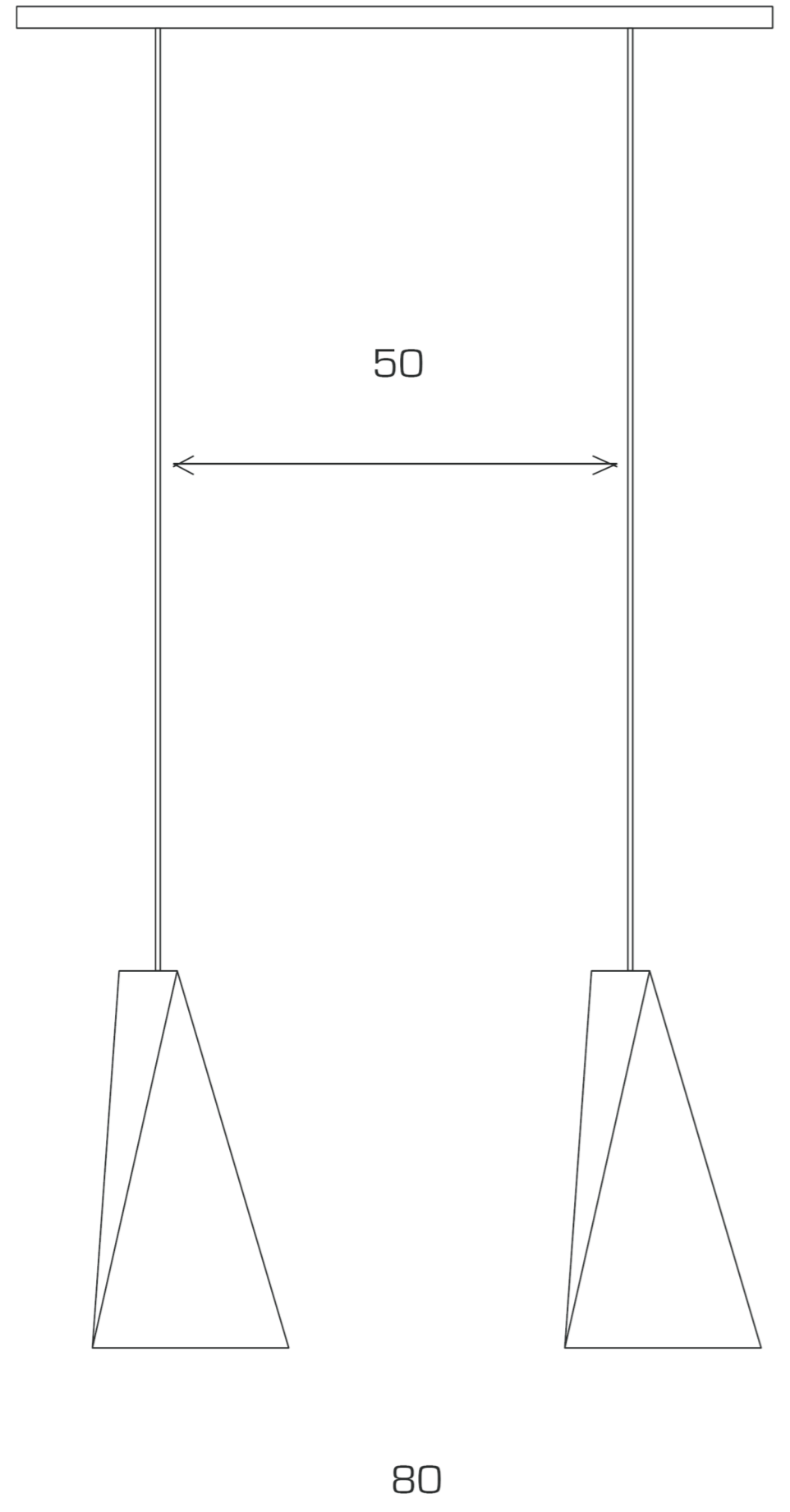


5546 - 5546BI



5546/2 - 5546/2BI



5546/3 - 5546/3BI

